

# INSTALLATION MANUAL

**METAL CBU  
TYPES I, II, III, AND IV  
1570 "F" SERIES**

**AUTH AF FLORENCE**  
M A N U F A C T U R I N G  
A FLORENCE COMPANY

5935 CORPORATE DRIVE  
MANHATTAN, KANSAS 66503

Ph. 800-275-1747  
Fax. 800-275-5081

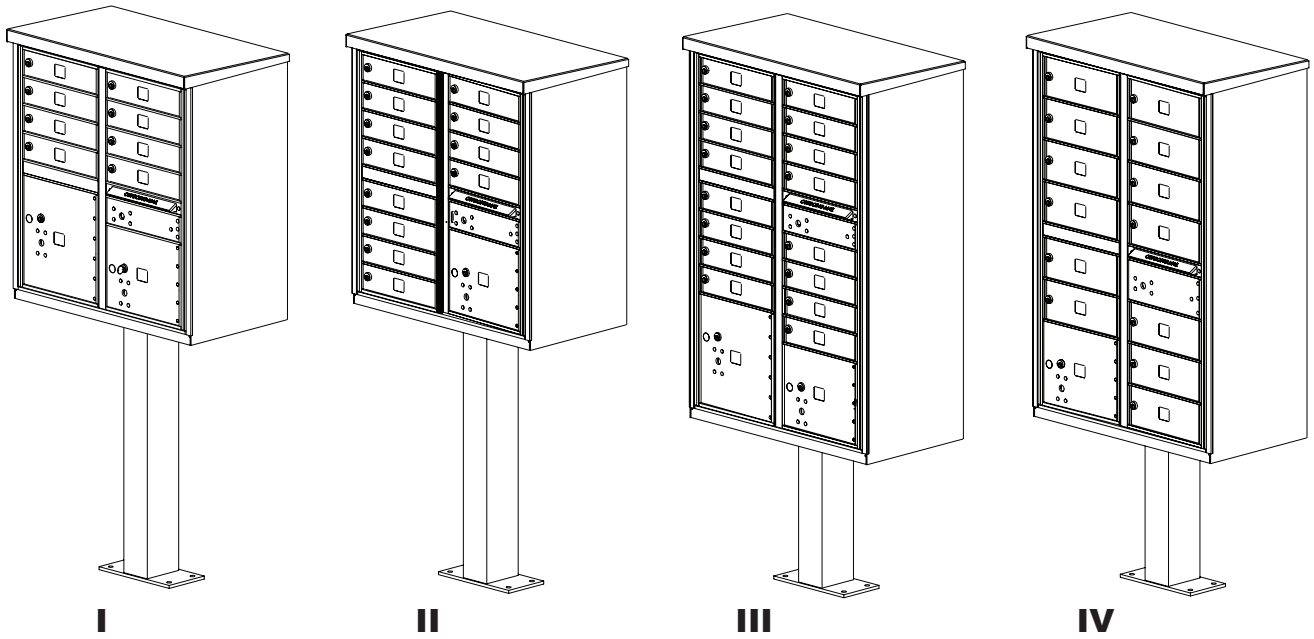
[www.auth-florence.com](http://www.auth-florence.com)

## TABLE OF CONTENTS

DESCRIPTION	PAGE
CBU INFORMATION	2
SITE PREPARATION AND PEDESTAL INSTALLATION	3
SECURITY TOOL REQUIREMENTS	4
INSTALLATION OF AN ARROW LOCK	5
PARCEL ARROW LOCK INSTALLATION	7
PEDESTAL TO CBU INSTALLATION	9

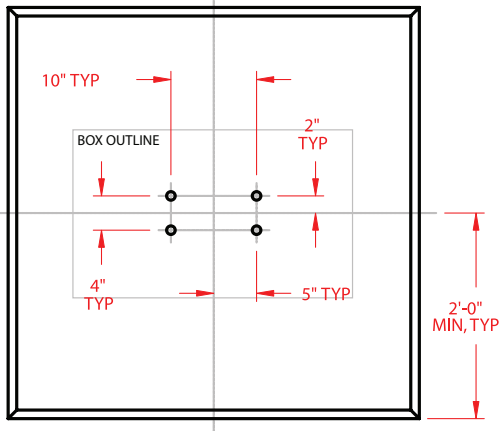
YOUR ISO 9001 MAILBOX SUPPLIER

*THIS PAGE INTENTIONALLY LEFT BLANK.*

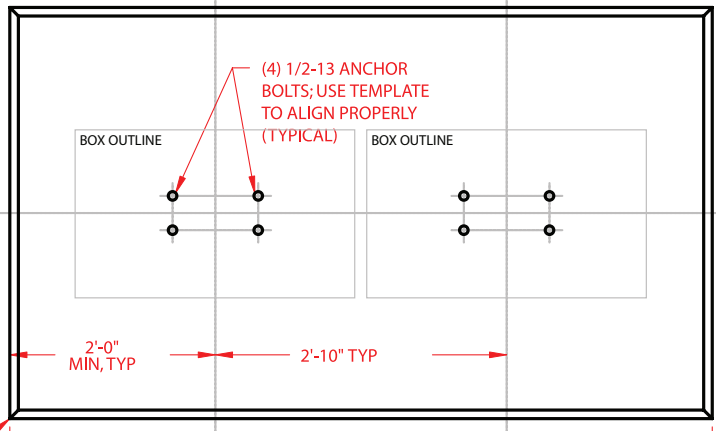


	<b>TYPE I</b>	<b>TYPE II</b>	<b>TYPE III</b>	<b>TYPE IV</b>
<b>INSTALLED HEIGHT</b>	<b>62"</b>	<b>62"</b>	<b>62"</b>	<b>62"</b>
<b>DEPTH</b>	<b>17-7/8"</b>	<b>17-7/8"</b>	<b>17-7/8"</b>	<b>17-7/8"</b>
<b>WIDTH</b>	<b>30-1/2"</b>	<b>30-1/2"</b>	<b>30-1/2"</b>	<b>30-1/2"</b>
<b>WEIGHT (WITHOUT PEDESTAL)</b>	<b>107 LBS</b>	<b>111 LBS</b>	<b>147 LBS</b>	<b>137 LBS</b>
<b>WEIGHT (WITH PEDESTAL)</b>	<b>125 LBS</b>	<b>129 LBS</b>	<b>162 LBS</b>	<b>152 LBS</b>
<b>QTY OF STANDARD COMPARTMENTS</b>	<b>8</b>	<b>12</b>	<b>16</b>	<b>13</b>
<b>QTY OF PARCEL COMPARTMENTS</b>	<b>2</b>	<b>1</b>	<b>2</b>	<b>1</b>
<b>PARCEL COMPARTMENT HEIGHT</b>	<b>10", 13"</b>	<b>10"</b>	<b>10", 13"</b>	<b>10"</b>

**SINGLE UNIT**



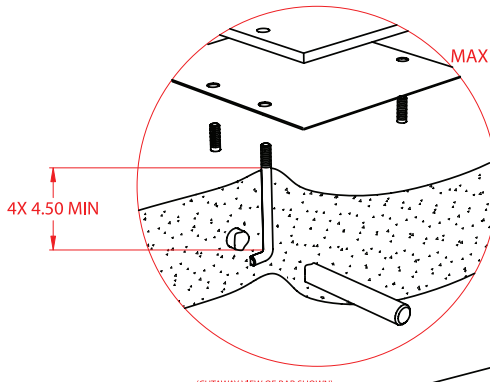
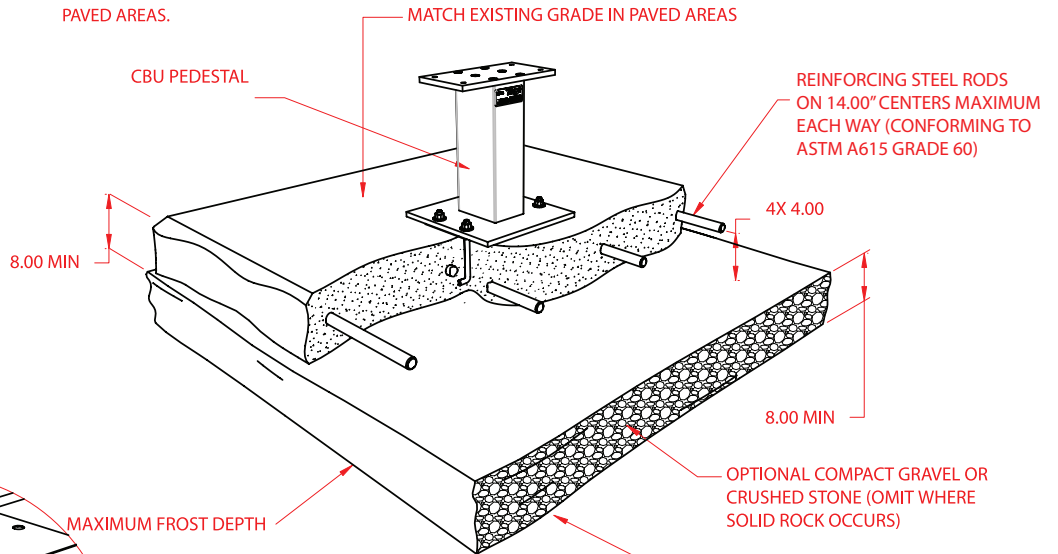
**MULTI-UNITS**



CHAMFER ALL EDGES IN LANDSCAPE AREAS. TOOL FLUSH WITH ADJOINING SURFACES IN PAVED AREAS.

ARRANGE MULTIPLE ANCHOR BOLT SETS AS REQUIRED; BASE NOT TO EXCEED 16'-0"

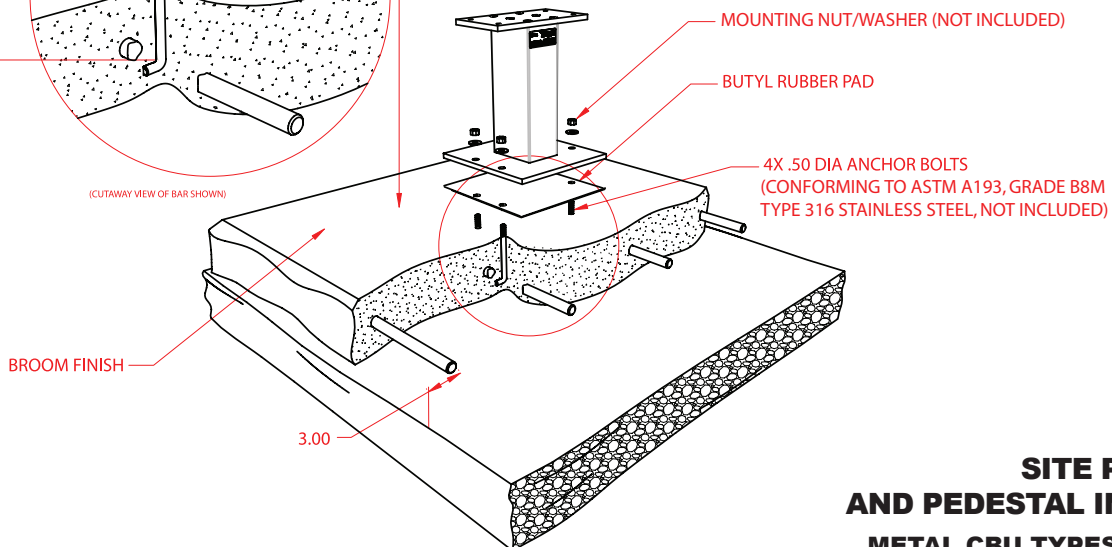
NOTE:  
CONCRETE SHALL HAVE A COMPRESSIVE STRENGTH OF 3000 PSI @ 28 DAYS, CONTAIN 4% MIN ~ 6% MAX AIR ENTRAPMENT AND BE PLACED WITH A 3.50 ~ 4.50 SLUMP IN ACCORDANCE TO 301.



(CUTAWAY VIEW OF BAR SHOWN)

SLOPE SURFACE 0.25 INCH PER FOOT ON ALL SIDES FOR DRAINAGE

FIRM UNDISTURBED SOIL OR WELL-COMPACTED FILL



**SITE PREPARATION AND PEDESTAL INSTALLATION  
METAL CBU TYPES I, II, III, AND IV  
1570 "F" SERIES**

# **IMPORTANT NOTICE FOR USPS INSTALLERS**

## **METAL CBU TYPES I, II, III, AND IV**

### **1570 “F” SERIES**

*INSTALLER MUST ORDER McGARD SCREW DRIVER  
(USPS - MAIL EQUIPMENT SHOP PART NUMBER 110050)  
TO INSTALL AND SERVICE THE PARCEL ARROW LOCK COVER  
ON THE NEW AUTH-FLORENCE CBU.*

*IF THE  
**McGARD SCREW DRIVER MES NO. 110050**  
NEEDS TO BE ORDERED  
IT MAY BE ORDERED BY FAXING AN “OFF CATALOG” eBUY REQUEST TO:*

**USPS MAIL EQUIPMENT SHOP**  
**FAX NO. (202) 281-2643**



*QUESTIONS? CALL THE USPS MAIL EQUIPMENT SHOP AT (202) 281-2620*

# INSTALLATION OF AN ARROW LOCK

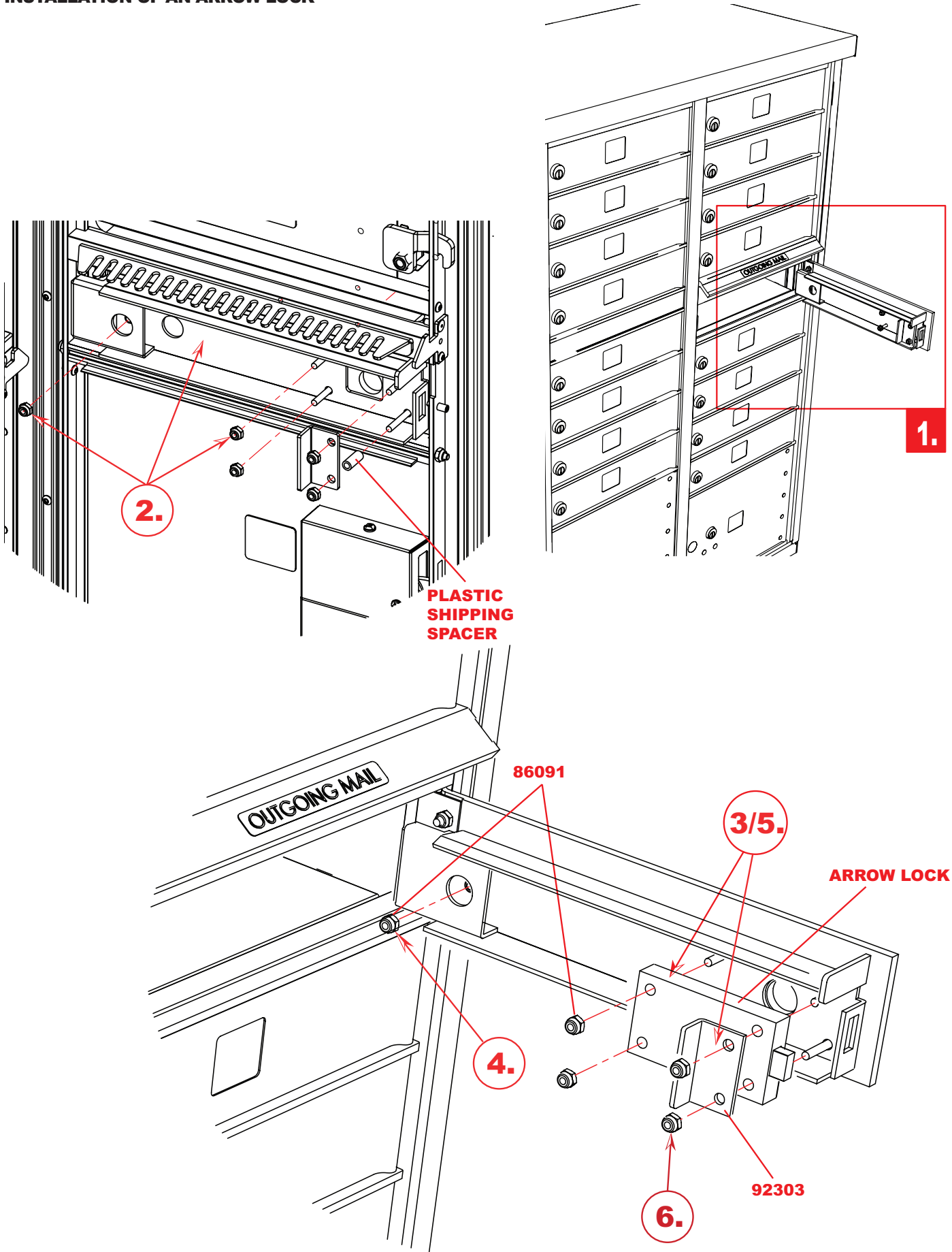
## METAL CBU TYPES I, II, III, AND IV

### 1570 "F" SERIES

- 1.** OPEN ARROW LOCK DOOR.
  
- 2.** REMOVE FIVE (5) 86091 10-32 LOCK NUTS, AS WELL AS 92303 LOCK SUPPORT PLATE (DISPOSE OF PLASTIC SHIPPING SPACER).
  
- 3.** PLACE ARROW LOCK IN TO ARROW LOCK SECURITY BRACKET AND POSITION ON DOOR.
  
- 4.** REPLACE ONE (1) 86091 10-32 LOCK NUT IN THE REAR POSITION TO SECURE ARROW LOCK SECURITY BRACKET.
  
- 5.** INSTALL 92303 LOCK SUPPORT PLATE AS SHOWN.
  
- 6.** REPLACE FOUR (4) 86091 10-32 LOCK NUTS. TORQUE 250 TO 30 INCH-POUNDS.

REQUIRED TOOLS	PART #	DESCRIPTION
3/8" SOCKET WRENCH	86091	10-32 LOCK NUT
	92300	ARROW LOCK SECURITY BRACKET
	92303	LOCK SUPPORT PLATE
		ARROW LOCK

# INSTALLATION OF AN ARROW LOCK



# PARCEL ARROW LOCK INSTALLATION

## METAL CBU TYPES I, II, III AND IV

### 1570 "F" SERIES

**1.** OPEN PARCEL DOOR, REMOVE AND DISCARD FOUR (4) PLASTIC SHIPPING RETAINERS (TWO ON LATCHING ASSEMBLY COVER AND TWO ON ARROW LOCK COVER).

**2.** REMOVE PLASTIC BAG OF FASTENERS (IT CONTAINS ALL FASTENERS NECESSARY TO INSTALL POSTAL LOCK IN ONE PARCEL DOOR).

**3.** INSTALL ARROW LOCK AS SHOWN AND SECURE WITH FOUR (4) 86091 10-32 LOCK NUTS. TORQUE 25 to 30 INCH-POUNDS.

**4.** INSTALL LATCHING ASSEMBLY COVER 91255 USING TWO (3) 84994 10-32 X .375 UNF-2A 18-8 SS PASSIVATED 1-WAY TAMPER PROOF FASTENERS.

**5.** INSTALL ARROW LOCK COVER 91259 USING TWO (2) 84993 10-32 X .312 UNF-2A 18-8 SS PASSIVATED MCGARD FASTENERS.

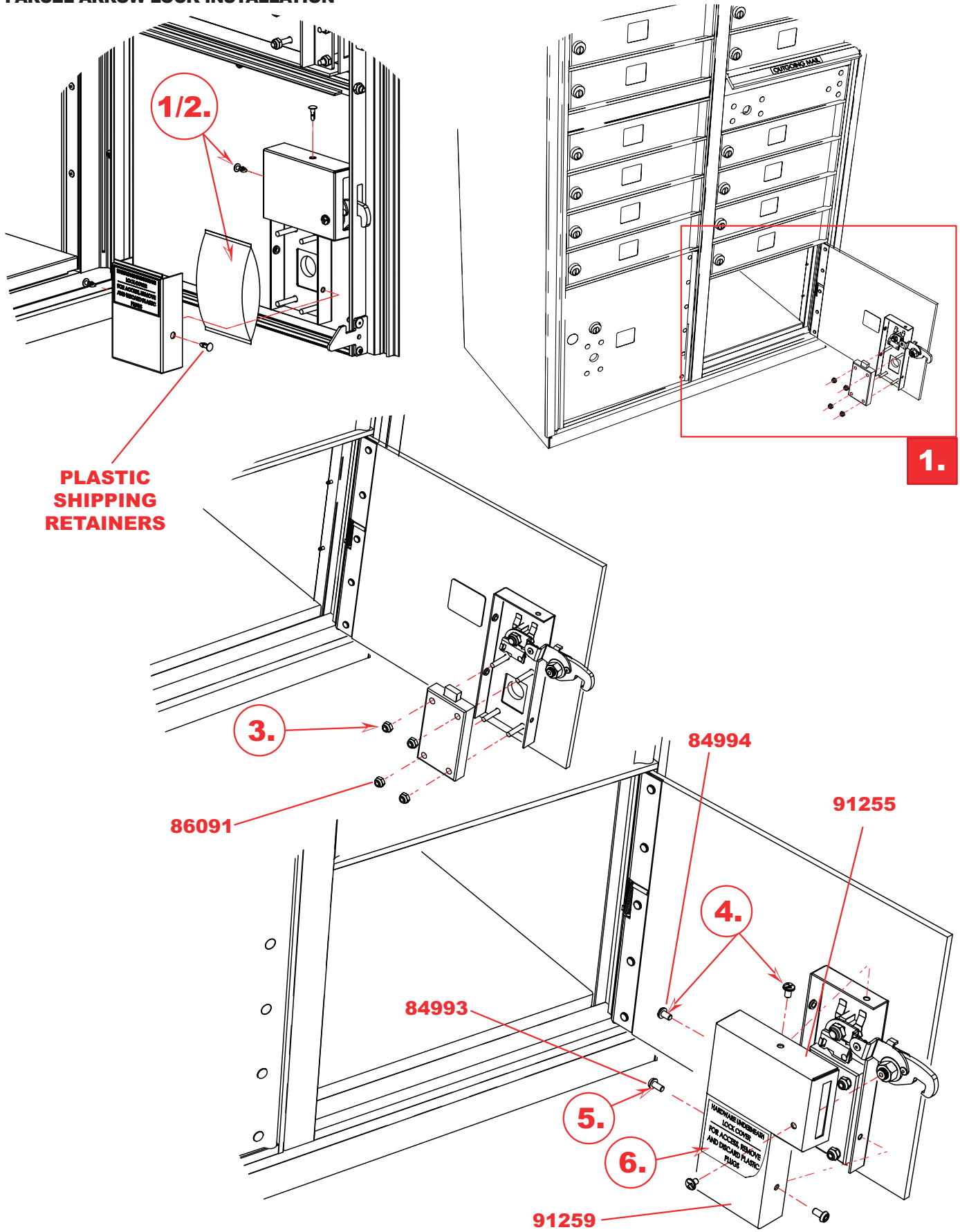
**6.** REMOVE LABEL FROM COVER.

REQUIRED TOOLS
FLAT SCREWDRIVER
USPS PROPRIETARY MCGARD TOOL
3/8" SOCKET WRENCH
PLIERS

PART #	DESCRIPTION
84993	10-32 x .312 UNF-2A 18-8 SS PASSIVATED MCGARD
84994	10-32 X .375 UNF-2A 18-8 SS PASSIVATED 1-WAY TAMPER PROOF
86091	10-32 LOCK NUT
91255	LATCHING ASSEMBLY COVER
91259	ARROW LOCK COVER
	ARROW LOCK



# PARCEL ARROW LOCK INSTALLATION



# PEDESTAL TO CBU INSTALLATION

## METAL CBU TYPES I, II, III AND IV

### 1570 "F" SERIES

- 1.** OPEN MASTER LOADING DOORS.
  
- 2.** REMOVE LEFT AND RIGHT SIDE 91079 FLOATING SHELVES, EXPOSING MOUNTING HOLES.
  
- 3.** PLACE UNIT ON PEDESTAL.
  
- 4.** FROM UNDERNEATH UNIT, INSERT FOUR (4) 86101 3/8-16 X 1.25 CARRIAGE BOLTS UPWARD.
  
- 5.** FROM INSIDE PARCEL COMPARTMENTS, ADD FOUR (4) 86097 3/8" X .688 OD LOCK WASHER AND TIGHTEN FOUR (4) 86089B 3/8-16 HEX NUTS. TORQUE TO 22 FOOT-POUNDS.
  
- 6.** REPLACE LEFT AND RIGHT SIDE 91079 FLOATING SHELVES.

REQUIRED TOOLS	PART #	DESCRIPTION
	86089B	3/8-16 HEX NUT
	86101	3/8-16 X 1.25 CARRIAGE BOLT
9/16" SOCKET WRENCH	91079	FLOATING SHELF
	91129	PEDESTAL FOR TYPE I, II
	91121	PEDESTAL FOR TYPE III, IV
	86097	3/8" X .688 OD LOCK WASHER

**PEDESTAL TO CBU INSTALLATION**

